

SEEKONK/ACT 2015 LATE MODEL SPORTSMAN DIVISION RULES

Seekonk Rule under these sections

2.C Mirrors

3.0 Bodies

10. Weight

26. Tires

1. Frames, Chassis, and Cages

- A. All cars will have minimum 104.5" and maximum 105.5" wheelbase, measured from center of lower ball joint to center of rear end, with a maximum tread width of 64.5".
- Tread width to be measured with Seekonk/ACT tread width gauge
 - Tubular frames on all models main frame rail members shall have a minimum of:

10" perimeter tubing - .120 wall thickness 12"
perimeter tubing - .095 wall thickness 16"
perimeter tubing - .083 wall thickness

- Sections extending, such as front and rear clips, must be a minimum of 10 inches in perimeter and have a minimum of .083" wall thickness and extend 10 inches minimum beyond wheelbase.
- Rear clip must extend beyond fuel cell area.
- V-8 engines only and must be placed with center of number one spark plug or center of hex if angle fitted even with center of grease fittings on upper ball joints.
- Ford engine will be measured from front of right head to center of right front ball joint. (This will result in 1-7/8ths inch setback compared to Chevrolet.)
- Centerline of engine must remain within %" (1/2 inch) measurement of tread width, measured from each side of snout.
- ACT perimeter chassis, by definition, must maintain equal lower control arm measurements.
- Material to be used must be DOM or seamless, .090 minimum wall steel tubing.
- Maintain integrity of tubing and wall thickness throughout the construction of Frames, Chassis, and Cage.
- Cars must be in full compliance with diagrams found at the rear of rules to be considered ACT Legal Late Model.
- All cars required to have a 4-point or main structure of the roll cage and must be symmetrical in all directions, (See roll cage section 5 below).
- Minimum 1" - 1-1/2" diameter tubing inside driver's compartment.
- Four curved horizontal door bars on driver's side with minimum of eight (8) inches to edge of seat from inside of door bars required.
- Minimum height of door bars 22-1/2 inches from bottom of frame.
- Passenger side three curved door bars with minimum 66 inches between driver's side door bars and passenger side door bars, outside to outside, **or** an "X" bar with approved side body panel supports.
- A so-called "Petty Bar" must run from center of cage to upper right front halo.
 - > **Main frame rails and clips may not be pierced or drilled or otherwise altered for purpose of reducing weight.**
 - > **All lead must be painted white, with car # painted in contrasting color.**
 - > **Bolts must pass through lead, and must be secured with proper sized bolt and nut. No pinch bolts allowed.**

B. Specifications for Perimeter Chassis and Roll Cage

1. **NO OFFSET CHASSIS ALLOWED.**

2. **Center Section Frame Rails:** Measured from inside to inside at MINIMUM 52 inches with $\frac{1}{8}$ inch tolerance.

Grandfather Rule: Pre-January 31, 2012 for REGISTERED CARS WITH ACT: Center section frame rails that measure width less than 51.75" and more than 51" will be required to bolt two 5 lb. pieces of lead, one piece within two inches from the front and one piece within two inches from the rear of the 47 inch right frame rail. Lead will be painted white and mounted on outside of rail for easy removal for inspection purpose.

Center section frame rails that measure width less than 51.0" and more than 50.0" will be required to bolt two 8 lb. pieces of lead, once piece within two inches from the front and one piece within two inches from the rear of the 47 inch right frame rail. Lead will be painted white and mounted on outside of rail for easy removal for inspection purpose.

Center section frame rails that measure width less than 50.0" from inside to inside should contact the ACT office.

Right Frame Rail: Must be minimum 47 inches in length.

Grandfather Rule: Pre-January 31, 2012 for REGISTERED CARS WITH ACT: Right frame rails that measure less than 47" will be required to bolt on a piece of lead equal to 1 lb. per inch violation to a maximum of three inches. Lead must be painted white and mounted on outside rear of rail for easy removal for inspection purpose.

3.

4. **Offset**

• Maximum **offset** allowed 1" from center line measured $\frac{1}{4}$ inch from center line equally side to side with total maximum 1 inch offset. Center line determined by using the center section measurement (2) above.

• An ABSOLUTE offset tolerance of $\frac{1}{8}$ inch will be allowed.

*Grandfather Rule: Pre-January 31, 2012 for REGISTERED CARS WITH ACT: A violation of the 1" offset allowance for cars built before January 31, 2012 will be at a $\frac{1}{8}$ inch tolerance. For every additional $\frac{1}{8}$ " of offset or fraction thereof, a weight penalty of **24 lbs. per inch**, or comparable $\frac{1}{8}$ fraction of inch will be required (i.e. 6 lbs. per $\frac{1}{8}$ ").*

5. **Roll Cage/Halo**

- Rollcage structure will be made of 1 3/4 O.D. inch tubing with .090 minimum wall steel tubing.
- Additional components within center rollcage section must be minimum 1 1/2 inch diameter tubing and minimum .065 wall steel tubing.
- Integrity of roll cage must be maintained.
- Height of roll cage total symmetry to be no less than 40".
- Total height of Halo to be no less than one inch lower than cage.
- Width of Halo measurement minimum 44 inches measured from outside to outside of tubing.

Rear roll cage posts must be attached to frame rails in a direct diagonal straight line from fire wall (see rulebook diagram for further clarification).

Grandfather Rule: Pre-January 31, 2012 for REGISTERED CARS WITH ACT:

1. A roll cage height tolerance of 14 inch will be given with no penalty

2. Width of Halo will receive 2" tolerance

3. Halos that measure less than 44 inches wide but more than 43 inches wide will be required to weld or securely fasten a one-pound piece of weight to the middle of the right halo bar

4. Halos that measure less than 43 inches wide but more than 42 inches wide will be required to weld or securely fasten a two-pound piece of weight to the middle of the right halo bar

5. Halos that measure less than 42 inches wide but more than 41 inches wide will be required to weld or securely fasten a three-pound piece of weight to the middle of the right halo bar

6. Halos that measure less than 41 inches wide but more than 40 inches wide will be required to weld or securely fasten a four-pound piece of weight to the middle of the right halo bar



C. 18 gauge steel minimum 18 inches high foot firewall. 9-inch high driver's tunnel and 18 inch high behind seat.

A "Red Mead" bar or 1/8" minimum steel plate is mandatory under driver's seat (see diagram below). A foot safety bar is mandatory. A support for headrest or seat back extending to support back of head is mandatory.

2. Interior Detail

A. A full width dash is required in all cars. Vertical surface of dash must project in a single plane across the car. Top horizontal plane of the dash should carry forward to the firewall and enclose entire area beneath windshield. Instruments must be neatly mounted to vertical plane of dash panel.

B. Interior of car must be completely enclosed with respect to engine compartment, track surface, tires and rear fuel cell compartment. Interior panels must be minimum of .040 inch thickness of aluminum or steel.

C. **Only one left side exterior mirror is approved, but cannot extend (Seekonk Rule) outside of the windshield "A" pillar.**

D. No rub rails allowed outside car.

E. **A maximum 6" deck/shelf allowed on right side of interior to door top. (See diagram)**

3. Eligible Bodies (Seekonk Rule)

A. Bodies

- Bodies must be aftermarket made of plastic or aluminum with rubber front and rear bumpers, fiberglass hoods and window frames.
- ACT approved bodies only. **NO CARBON FIBER BODY PANELS.**
- Bodies must meet tech visual approval - weight penalties may be imposed at tech director's discretion for violations.
- NO high performance bodies are approved for competition.

B. ABC bodies are required. Fiberglass quarter panels will be allowed. "Rubber" quarter panels may be used upon availability. All ABC bodies must meet manufacturer's template technical inspection, and be mounted as "out of box". ***Vi" tolerance of any measurement with templates will be allowed, if consistent with majority of field of cars.***

- C. Models as follows:
Dodge Charger Pontiac
Grand Prix **Ford Fusion**
Ford Taurus
Chevrolet Impala SS
Chevrolet Monte Carlo
Toyota Camry
All Ford engine cars must run an approved Ford Body. Local (weekly) competitors should conform to local rules regarding body rules; however, non-Ford Engine cars with Ford Bodies must be approved by ACT.

Any variations need tech approval and may carry penalties.

D. Removed (Seekonk)

E. **All body panels must be complete in length and width.** Overall workmanship shall be a determining factor as to whether a car shall be approved for competition. Specified components' compliance to templates and overall level of workmanship and appearance will be considered by technical inspectors.

F. **No bumper tubing or bracing allowed lower than front or rear bumper covers.**

G. **ABC body measurements must be strictly adhered to - templates will be *used* to measure from front windshield to rear spoiler, and from right quarter panel to left quarter panel, *with 1/4 inch tolerance, when determined by Seekonk/ACT officials.***

4. Spoilers

A. ALL REAR SPOILERS MUST BE MADE OF LEXAN AND MUST REMAIN CLEAR, maximum width of 60 inches wide and 5 inches high. All heights reference to ABC body dimensions. No side enclosure, no lips or bends in upper portion of spoiler and must be flush to vertical surfaces of deck lid, ***and must be mounted center of rear bumper cover.***

B. ABC spoiler heights will be according to instruction manual and will be subject to **approved** inspections. Measurement will be from top flat surface at the end of trunk lid to ground at 34-7/8". See spoiler section above for approved spoiler size, (60 inches wide and 5 inches high).

5. Hoods and Trunks

A. Both hoods and trunks must be hinged. Hoods must have four positive locking pins on leading edge. Trunks must have two positive locking pins.

6. Exhaust/Headers

- A. Exhaust
- Absolutely no additional holes, vents, etc., may be added to body components outside stock configuration.
 - Exhaust holes may be cut.
 - ***Exhaust MUST exit UNDER car (MANDATORY).*** If exhaust exits under car, must point toward race track and maintain 4" ground clearance.
 - Two ***unaltered*** mufflers required.
 - Mufflers must be Howe #3002 and steel pipe used to extend beyond driver seat, and may not be cut or modified and **MUST BE** installed in correct flow direction.
 - Exhaust pipe exit maximum size 3-1/2 inches.
 - No scavenger systems.
 - MAGNAFLOW Muffler Part #11219 maybe used.
 - Either weekly or touring competitors must be in compliance with track and/or local ordinance rules.

B. Headers allowed. No 180-degree headers allowed. All 4 tubes from right and left banks of engine must enter single collector on each respective side of exhaust. No balance tubes or any crossover type exhaust systems allowed. Must be made of mild steel, no stainless.

7. Windows

A. A full stock dimension windshield is mandatory and must be constructed of 1/8th inch minimum thickness lexan. Three internal windshield braces spaced at least on 5 inch centers and roughly centered upon windshield constructed of minimum 1 inch wide by 1/8 inch thick material are mandatory.

- B. Models with rear quarter windows may have stock openings covered with securely mounted solid, clear lexan. Rear side window may have approved air vents for driver. "A" pillar windows not to exceed 6" in any direction measured from front of door opening. No interior air deflectors allowed.
- C. A full dimension rear glass constructed of minimum 1/8th inch thick **clear** lexan is mandatory and must be held securely in place by minimum of 2 external straps. **Back window must be securely braced internally to prevent significant bowing or distortion at racing speed.**

8. Numbers

- A. A quality paint job is mandatory on all cars with **high contrast** numbers for legibility day or night. Bodies must be kept neat and painted at all times. No metallic numbers.
- B. A minimum 24-inch high, 3-inch stroke number is required on the door area on both sides of car. A minimum of 30-inch high, 3-inch stroke number is required on top of roof facing the passenger side of car. A block style number on right headlight cover, taillight cover and upper right (passenger side) of front windshield required. All numbers must be Seekonk registered and/or assigned.

9. Chassis/Body Heights

- A. Minimum ground clearance of any component is 4 inches and maximum is 6.5 inches, including bumper, bumper covers, and side skirts. If a valence is used, it must have all bolt holes filled with secure fittings and may not be movable.

10. Weights (Seekonk Rule)

- A. **Weight:** **2775 lbs.**

- All cars will be weighed with drivers (no substitutes).
- **Cars must have a maximum 57.0% of total weight on left side.**
- All heights will be measured with driver in car after heats and features unless otherwise notified.

- B. Cars must weigh *minimum* 2775 lbs. at finish of all qualifying and feature events.

C. Removed Seekonk

- D. Ballast weight must be securely attached to main frame rail or major cross member structure. Ballast is not allowed to be placed in front of or behind front or rear tires. No tungsten, lead shot, ball bearing type, or liquid type ballast permitted. No moving weight allowed. Additional brackets or weight holders beyond main frame rails must be approved by technical committee and may require modification or elimination upon inspection. Any questions can be addressed at practice sessions prior to season opening events.

11. Engines

New engine approved list and criteria will be forwarded in tech memo.

NOTE: BUTLER AND MACMASTER IS THE MOTOR BUILDER OF RECORD FOR ACT RACING.
THE FOLLOWING ARE BUTLER & MACMASTER APPROVED SATELLITE ENGINE BUILDERS:

BUTLER & MACMASTER	NAT'S	LARRY'S AUTO MACHINE
RPM	STEFKO	WEST CARLTON AUTOMOTIVE
YVES GOYETTE		

MOTOR BUILDERS MUST USE BUTLER & MACMASTER APPROVED MOTORS. PROCEDURES. AND SEALS.

- A. Only Seekonk/ACT approved crate engines will receive points.
- B. Certain individual track rules (including motors) may be subject to ACT inspection, procedures, weight penalties, restrictor plates, and any other modifications ACT deems necessary in the interest of competition.
- C. ZZ4-1st Edition #GMC 245 02609 **OR** 88958603 **ONLY.**
- D. **ALL MOTORS MUST BE REGISTERED EACH YEAR WITH ACT OFFICE. Seekonk cars not required**
- E. Roller rocker arms are approved. **ONLY** GM part number 12367345 **OR** GM set number 12370838 **PR** Scorpion part number 1035BL are approved. These are 1.5 ratio rocker arms.

- F. Contact ACT with any minor problems (example: pan leak, etc.) for coordinated remedy.
- G. Crate and Spec engine LM must weigh minimum 2775 lbs.
- H. Crate engine with conventional clutch option will weigh minimum 2775 lbs. Must run 16# flywheel GM Part #14088646.
- I. Do not take motor to builder other than original builder under any conditions without ACT approval.
- J. FORD MOTOR:**
1. ACT approved M-60070S347JR Ford motor only. Must meet all specs as determined by Butler MacMaster Contact (207) 623-8895 or RPM - Contact 802-524-7406
 2. Ford motor must compensate for set back by having 20 lbs. of lead bolted directly behind upper control arm section of frame rail - 101b. each right side and left side (see diagram). Must be bolted on top, clearly visible. Lead must be painted white with car number and readily available to be moved for weighing purposes. Lead may not be moved from assigned position without consent of Seekonk/ACT official. [See diagram at rear of rules].
 3. Ford motors must have 1.600" RESTRICTOR PLATE at all ACT events held on tracks of 1/2 mile or over. Plates will be supplied by ACT Tech on day of race, **AND MUST BE RETURNED TO ACT DAY OF EVENT**
 4. Only Ford spec motors which are ACT approved will be allowed to compete in ACT-sanctioned events.
 5. **Rear starters are allowed on Ford engines ONLY.**

12. Ignition

- A. 6200 RPM MAXIMUM recommended for Chevrolet engines, but will be restricted to a maximum 6300 chip, and may be required at certain tracks. Fords will be required to run a maximum 6200 chip at all events. The chip rule may be amended for certain tracks, and teams will be notified in the entry form. The chip rule may be amended in the interest of competition at any time.**
- B. MSP distributor IS allowed. Must contain light blue springs and blue advance stop. Spring and stop part number 8464, distributor numbers MSD 85551, 8570, 85561 or GM part # 10093387 are only approved parts. No tampering or changing of advancement weights or springs allowed in HEI spec motor distributor.**
- MSD #6AL6420 and #64306ALN with 6200 RPM rev limited chip optional, but recommended, with OEM HEI distributor, **MSD digital 6AL is allowed in Seekonk/ACT competition.**
 - MSD must use external coil, not dial.
 - Ends must be original factory MSD or weather pack connectors installed by MSD.
 - It is the responsibility of the competitor to configure harnesses to allow the ACT MSD to connect.
 - **MSD must be located on the right side of dash panel, as far from driver as possible, and out of reach.**
 - All wires must be wrapped in a loom material, and must pass through firewall at first option. Rivets to hold bottom panel must be drilled out.
 - **Only one MSD box allowed. Any altering of MSD box will result in disqualification and possible suspension.**

13. Miscellaneous Engine

- Fan blade recommended.
- Very important to close in radiator with no air leaks.

14. Spacers

- Following spacers are allowed:
Canton #85060 Moroso #64964 (aluminum)
HVH #SS4412-2AL is approved for CHEVROLET engine only.

15. Heights

- Four (4) inch frame height measured at the lowest point including cross members.
- 47-inch roof height measured 10 inches back from windshield to ground or ABC body must meet Referee standard.
- 11-inch engine height measured from center of crank front to ground.
- Skid plate is mandatory if oil pan is below cross member.
- Fuel cell can minimum height 8 inches from ground.

NOTE: (All heights measured with driver (no substitutes) in car **and all measurements are official with Seekonk/**

ACT gauges ONLY).

16. Carburetor, Fuel and Fuel Systems

- A. A stock 4412 Holley 500 CFM carburetor only is allowed. Absolutely no material may be added or removed from carb, except bolt-on choke mechanism only may be removed. Air filter housing and fresh air box only. **Fuel must not mix with water or any additives.**
- B. ***ONLY approved track fuel allowed. Fuel must not mix with water or any additives, and must be approved by track officials. Fuel will be tested. IT IS THE RESPONSIBILITY OF ALL TEAMS TO HAVE VP RACING FUEL.***
- C. Fuel cells mandatory and must be approved by technical inspector. Minimum 15-gallon capacity and maximum 22-gallon fuel cell only. It is mandatory that the fuel cell be enclosed in a 20 gauge welded steel box, with a bolt-on cover constructed of twenty gauge steel and must be protected in back and on sides by .095 1-3/4" O.D. tubing. Fuel cell will be no less than 14 inches from centerline of rear axles to front of fuel cell.

- D. Any fuel line passing through interior must be inside of steel tubing.
- E. Check valve vent is required on all fuel cells.
- F. No "**QUICK FILL**" fuel mounting allowed. Outside fuel fill mandatory with cam type fuel cap.
- G. Fuel pump must be mechanical - no electric fuel pumps. No fuel pressure regulators allowed.

17. Steering

- A. Any type of front steering allowed. Steering box or rack and pinion are allowed.
- Power steering pumps must be driven from the front of motor by belts. Steering columns must have minimum of two U-joints.

18. Suspension

NO TITANIUM PARTS OF ANY KIND ARE ALLOWED IN ACT RACING.

- A. Any spindle made of steel. Removable steering arms must be made of steel. Spindles must be same offset left to right.
- B. Any stock or aftermarket upper and lower control arms allowed. Lower control arms must be same length left and right. Heim joints are allowed. Measurement will be from center of mounting point to center of ball joint at grease fitting. Jacking bolts allowed on non-coil over cars only. Only one shock per wheel. **No devices to limit or stop suspension travel allowed.**
- C. All springs must be made of steel—magnet must stick to spring. Coil-overs permitted. If running coil- over all parts must be same left to right and front to rear. Spring rubbers will be allowed, must be wired in place. **Maximum of 3 spring rubbers in any spring, and must be approved in size and shape by ACT. Aluminum, steel or additives are not allowed in spring rubbers. Maximum length of spring rubber allowed is 3.5" on 3" rubber or 4.5" on 5" rubber.**

NOTE: SPRINGS THAT COST EXCESSIVE AMOUNTS OF MONEY WILL NOT BE ALLOWED IN ACT RACING. VIOLATIONS WILL BE DEALT WITH ON AN INDIVIDUAL BASIS.

1. **MAXIMUM COST OF SPRING MAY NOT EXCEED \$200.00 EACH, AS DETERMINED AND DICTATED BY ACT. Any team found in violation of the maximum \$200 cost rule as determined by Seekonk/ACT will be disqualified from event, suspended for minimum of two events, and other additional penalties may be imposed.**
2. **DRACO AND RENTON SPRINGS, COSTING MORE THAN \$200.00, OR ANY SUBSEQUENT SPRING THAT SEEKONK/ACT FINDS COST PROHIBITIVE, ACCORDING TO PRICE INTERPRETATION, WILL NOT BE ALLOWED IN LATE MODEL RACING.**
3. **TEAMS MUST INFORM TECHNICAL INSPECTOR OF CHANGES FROM PREVIOUSLY**

APPROVED SPRINGS BEFORE PARTICIPATION IN ANY EVENT IN THE CASE OF CHANGING BRANDS OF SPRINGS.

4. ANY VIOLATION OF THIS SPRING RULE WILL BE DEALT WITH IN THE SAME MANNER AS SHOCK, ENGINE, OR TIRE VIOLATIONS.

D. NO SUSPENSION TRAVEL LIMITING DEVICES ALLOWED UNLESS SPECIFICALLY OUTLINED IN THIS ACT RULEBOOK. (Examples include, but are not limited to: bump stops, coil binding, chains, or shock mounting locations).

(Cars will be inspected using one and one half inch ramps and nose of body must hit ground when pushed down by three crewmembers or will be considered illegal). *Bumper must be mounted **SOLID**. No hinges or slides - must comply with nose height rule at all times.*

VISUAL INSPECTION BY OFFICIALS TO MEET THE “NO BUMPING ALLOWED” RULE WILL BE UP TO CHIEF TECH INSPECTOR AND CONSIDERED FINAL.

E. No jacking bolts or any other shock travel adjustors allowed (exception: see #18 B above).

F. Shock Adjusters of any kind will not be allowed.

G. NO Coil-over Eliminators of any kind allowed on ACT Late Model approved cars

19. Shocks

Brand approved is KONI and must be run at all Seekonk/ACT events.

- A. Model #:
KON30-7436
KON30-7499
KON30-7325
KON30-9325
KON30-9436
KON30-7647

1. No KONI approved 9” shocks will be allowed on the front of cars. Approved KONI shocks are mandatory 7” on the front and 9” on the rear ONLY.
 2. A 7” shock at approved race ride height will maintain a maximum compression of within 3.0 inches (there will be a reasonable variance not to exceed .5 inches at the sole discretion of the technical inspector).
 3. A 9” shock at approved race ride height will maintain a maximum of 4.0 inches (there will be a reasonable variance not to exceed .5 inches which will be at the sole discretion of the technical inspector).
- Shock bump stops enclosed with KONI package will **NOT** be allowed on ACT approved KONI shocks.
 - ONLY PART NUMBERS LISTED ARE APPROVED FOR ACT LATE MODEL COMPETITION.
 - NO CHANGING OR ALTERING SHOCK IN ANY WAY.
 - SHOCKS MUST NOT BE PAINTED, AND MODEL NUMBERS MUST BE FULLY LEGIBLE.
 - Shocks may be swapped at any time with Seekonk/ACT inventory by Tech Inspectors.

20. Sway Bar

A. *Aftermarket one solid bar side to side only.* MUST be mounted on bottom side of front clip & work off the lower A-frames. NO rear sway bars allowed.

B. *Sway bars must be mounted parallel with front cross member and will be measured from rear of engine.*

Maximum sway bar diameter 1.75"

21. Brakes and Hubs

- A. Any safety or racing type hubs allowed made of **steel, aluminum, or magnesium and of same offset right and left**. 5x5 or wide 5 bolt patterns allowed. Front brake rotors must be a minimum of 1 inch thick and made of steel. Rear brake rotors must be minimum $\frac{1}{8}$ inch and made of steel.
- B. Brakes (all four) must be single piston calipers made of steel and all four must be in good working order. Master cylinders and pedals of any type allowed. Brakes will be tested. **Brake returns allowed. No brake coolers allowed.** Brake ducting allowed with no blowers.
- C. Vents may be installed for front brakes only.

22. Rear Ends

- A.
1. Rear ends must have floating type bearing and hub such as quick change or "non-quick" change, front load quick change, or steel housing-type 9" floater with steel center section gear carriers only allowed.
 2. No cambered rear ends or rear ends with yaw (dog tracking), or offset or shimmed snouts allowed.
 3. No crowned axles.
 4. All rear ends must be driven with solid drive flange plates.
 5. NO TITANIUM PARTS ALLOWED.
 6. All running gear drainage plugs must be safety wired.
 7. No rear axle tube tow in or out allowed.
- B.
- Rear ends may be locked or open. At select events, a rear end gear rule will be in effect and posted in entry forms.
 - No gold tracks or any type of ratchet or limited slip.
 - Drive shafts must be made of steel, and must be painted white.
- C.
- Truck arm or three-point type rear mounting allowed.
 - Rear trailing arms may use rubber bushings and heim joints.
 - No spring rods.
 - Rubber snubber allowed on rear trailing links.
 - **One** upper link pivot with rubber bushings allowed.
- A. Solid tubular pannard bar only. One bar, two adjustable heim joints only.
- B. No aluminum truck arms, no fifth coils, no Watts linkage, no torque arms, no mechanical devices to transfer weight while car is in motion allowed.

23. Cooling Systems

1. Cooling systems on non-spec motors, allowed at select events.
 2. Any radiator allowed with catch tank overflow must blow on right lower quarter of windshield.
 3. ACT-approved spec motors may run electric fans.
4. Stock cast water pump or aluminum pumps allowed. Oil coolers allowed.

24. Transmissions/Clutches

- A.
1. Transmissions must be stock **GM** standard 3-speed.
 - The early Muncie and later Saginaw three-speed stock transmission are the only GM transmissions approved for competition, with the following exceptions:
 - a.) Saginaw three-speed may modify gear ratio with an approved dealer-made cluster gear

- with 1.35 ratio. Only approved ACT transmission dealers will be used (see below).
- b.) REM polishing allowed.
- c.) No rollarized gear on main shaft allowed.
- d.) No other altering of transmissions will be allowed without written approval by ACT.

NOTE: [Certain approved local track transmission rules may apply for ACT competition]

- Transmissions will be inspected and sealed by ACT approved dealers at the expense of ACT if found legal. Penalties for illegal transmissions will be imposed.
 - a.) ACT does not mandate that everyone has to have transmissions sealed.
 - b.) Teams do not have to have transmissions sealed, but may do so if they choose, and those that are sealed, in all likelihood, will not be required to be pulled for inspection.
 - c.) Transmissions will be randomly selected for checking and sealing by ACT and/or weekly affiliate tracks.
 - d.) It would be in the best interest of the competitor who is freshening his transmission to have it sealed as a part of that process.

No automatics allowed.

APPROVED ACT TRANSMISSION DEALERS

MAGNUS
860.319.7737 - Mike Sangermano
666 Upper Maple Street, Unit A
Danielson, CT 06239

TRANS TECH
603.899.5410 - Brad Roach
28 Lisa Drive Rindge, NH
03461

Steel type bell housing mandatory for conventional clutch use.

No carbon fiber materials will be allowed in clutch assembly.

Mandatory bell housing must remain 360° and shall not be altered, except for inspection hole not to exceed 2" in diameter to be drilled in bottom of bell housing.

6. Aluminum bell housing will be allowed with disc clutch and ACT crate motor. Shifter may be any type - single or two rod.

B. Disc clutch assembly that will be the ACT Late Model approved clutch:

#QUA 298103A - 7.25 2 disc-V-drive set up

#QUA235170 - Throw out bearing 153 tooth stock flywheel flex plate.

25. Starters

A. Reverse mount starters allowed *only on Ford engines*. Starters must remain in stock location.

26. Tires and Wheels

A. Seekonk approved tires only. Tire usage rule will be affect.

B. Specified tire mandatory on all four wheels. Tires are available at track. Tires must be on an 8" rim mandatory. Front wheels must maintain same offset left and right 64.5" tread width. Rear wheels must maintain same offset left and right 64.5" tread width. Must be aftermarket racing type wheels made of steel. Wheel spacers may be used, and **must be one-piece wheel spacer MANDATORY - on wide 5 hubs. Maximum one V₂" thick spacer per wheel.** Lightening of wheels of any kind not allowed - must be stock out of box.

- C. Chemical treating of tires will not be allowed. No shaving of any tires allowed in LMS division. A durometer rule will be in effect regarding minimum tire hardness *at discretion of Seekonk official inspection procedure.*
- D. Tire clean up with scraper blades allowed. No steel brushing or any form of liquid allowed to clean tires.
- E. Questionable tires, or tires not meeting above criteria as determined by officials, may be confiscated by officials and could result in disqualification, and/or other penalties.
- F. ACT LM Tour events require use of specified tire **ONLY.**
- G. **Bleeders are not recommended by American Racer.**

27. Safety Requirements

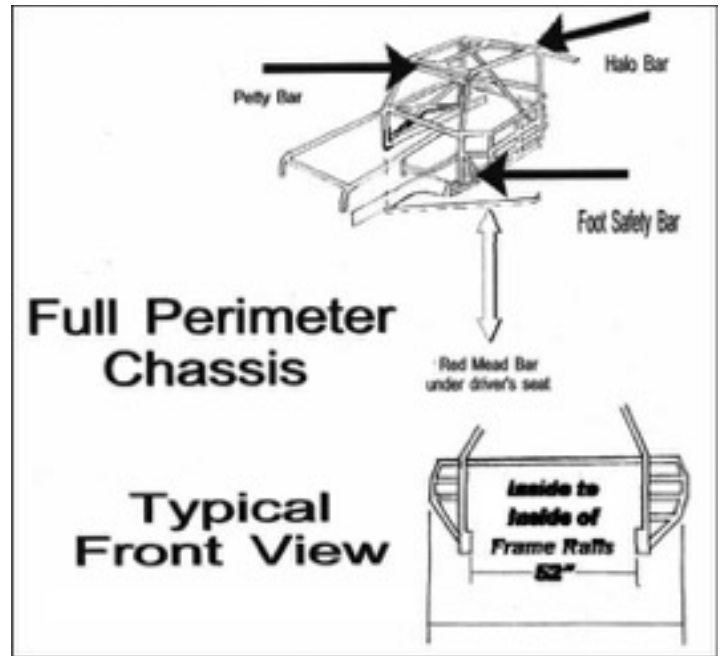
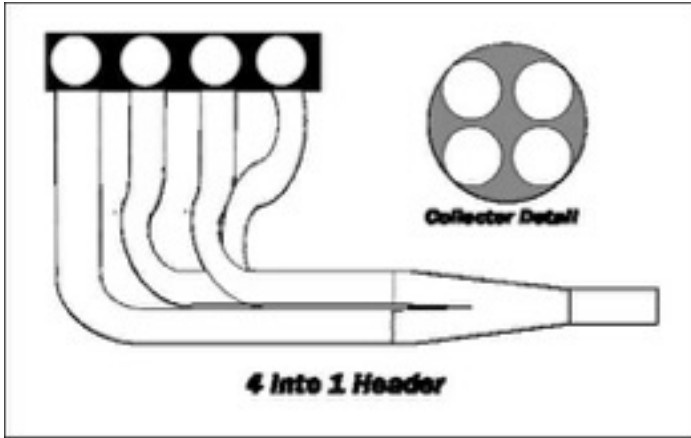
- A. Fire retardant driver's suit highly recommended. Fire retardant gloves highly recommended.
- B. All cars must have safety cutoff switch on driver's right side crossbar. Must be within reach of driver and accessible to safety crews from both left and right side.
- C. Aluminum racing seat mandatory. Driver's seat must appear as close to stock position as possible and must be securely fastened (bolted, not tack welded), to rollcage and frame members and not to floorboards.
- D. Quick release aviation-type minimum 3" safety belts required. Shoulder harness required to be fastened to rollcage, not in gussets, no cam-lock type allowed.
- E. An approved driver's window screen mandatory. Requires seat belt type latch. Must be attached at top and bottom front by single seat belt locking device and 3/8" steel rod top and bottom, *or spring lock type allowed.*
- F. Rollbars must be padded in driver's area. Center of steering wheel must be padded.
- G. It is recommended that a 2-1/2 lb. fire extinguisher with gauge be attached to the car interior, on driver's right side crossbar. Must be within reach of the driver and accessible to safety crews from both left and right side. Extinguisher must be mounted in quick release bracket only, no taping. On board fire system highly recommended.
- H. Two drive shaft loops to fully enclose drive shafts mandatory, no less than 1" wide and 1/8" thick must be placed around drive shaft front and rear attached to the floor or cross member.
- I. The following are suggested to aid in your safety: goggles, fire retardant socks and undergarments, DOT or SNELL approved automobile racing helmets.

28. Miscellaneous

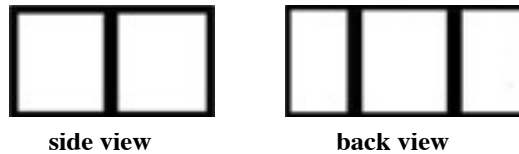
- A. *Radios will be allowed for the Late Model division. One spotter per car is required in designated area for feature event.*
- B. Spotters required to have car # visible on both right and left headset ear cuff, and back of headset.
- C. No traction control devices will be allowed.
- D. *Competitors wishing to participate in purse payouts and/or point fund must have drivers last name placed at top of front windshield also car number at far right hand corner.*

All rules are subject to change in the interest of competition.

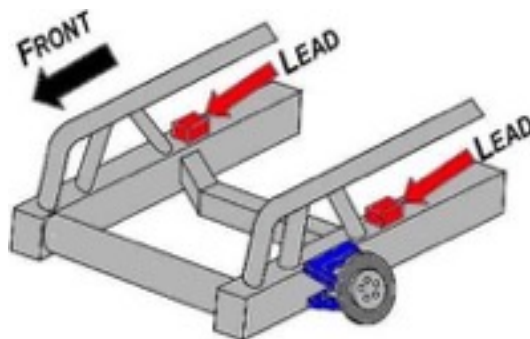
Rules EIRI 120214



Fuel Cell Protector



ALL ACT FORD COMPETITORS WILL BE REQUIRED TO BOLT 20 lbs. OF LEAD DIRECTLY BEHIND UPPER CONTROL ARM SECTION OF FRAME RAIL -10 lb. EACH RIGHT SIDE AND LEFT SIDE - SO AS TO BE CLEARLY VISIBLE, PER DIAGRAM BELOW. LEAD MUST BE PAINTED WHITE AND READILY AVAILABLE TO BE MOVED FOR WEIGHING PURPOSES. THIS LEAD MAY NOT BE MOVED FROM THE ASSIGNED LOCATION AS FAR FORWARD TOWARD FRONT OF FRAME RAIL AS POSSIBLE.



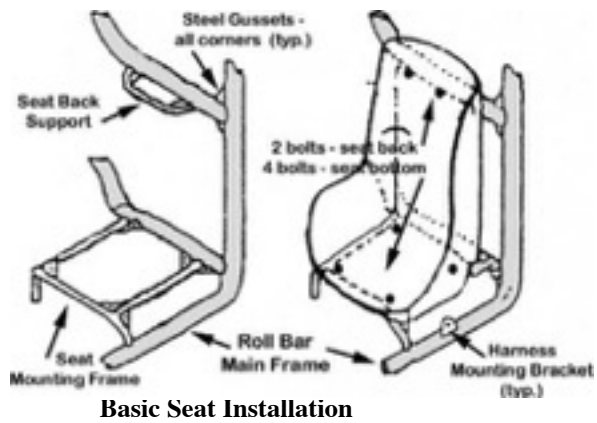
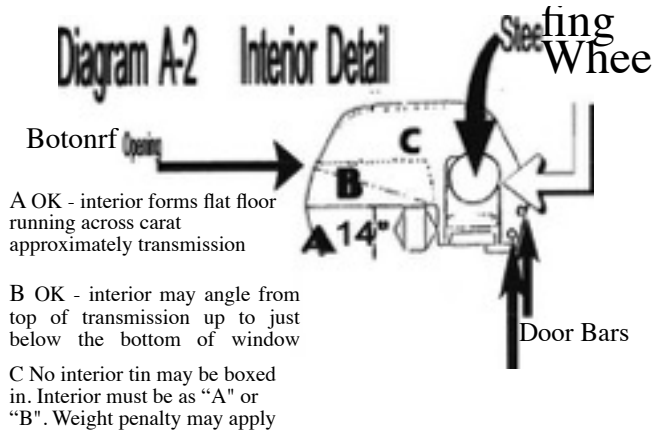


FIGURE 2
Recommended installation for seat / belts -



- 1) Anti-submarine belt should be anchored behind the chest line.
- 2) Seat belts anchored apart, the width of driver, at an angle of 45 degrees to the floor of the car.
- 3) Anchor shoulder straps at a point four inches below top of shoulder.
- 4) Seat belt anchor should be positioned 2-1/2" forward of the driver's extended back line.

All mounting brackets should be attached directly to the frame or chassis of car, and installed to limit the driver's body travel both upward and forward. **DO NOT MOUNT TO THE SHEET METAL FLOORBOARD.**

Minimum specification for bolts and washers to

FIGURE 3 & 4

Mounting brackets should be installed at an angle that is compatible with the direction of pull on the webbing under full load.

attach the seat belts, harnesses and antisubmarine belt hardware are Grade 8.

Late Model Transponder Mounting Locations

The transponder must be mounted in compliance with the diagrams provided below. It must be mounted on a bracket inside frame rails. The center of the transponder must be **six (6) inches** back from the rear edge of the rear end tube (see diagram #1). Also the bottom most part of the transponder should not be below the bottom most part of frame. Transponder must be mounted in a direct horizontal plane (see diagram #2) to the ground with label side down and lights point towards the front or rear of the car. The clearance from the racetrack to the bottom of the transponder should be as close to a maximum of twelve (12) inches as possible. **NOTE: The distance back from the rear end tube to the transponder has been adjusted from 12" to 6" for 2012.**

DIAGRAM #1

View Of TRANSPONDER AS SEEN

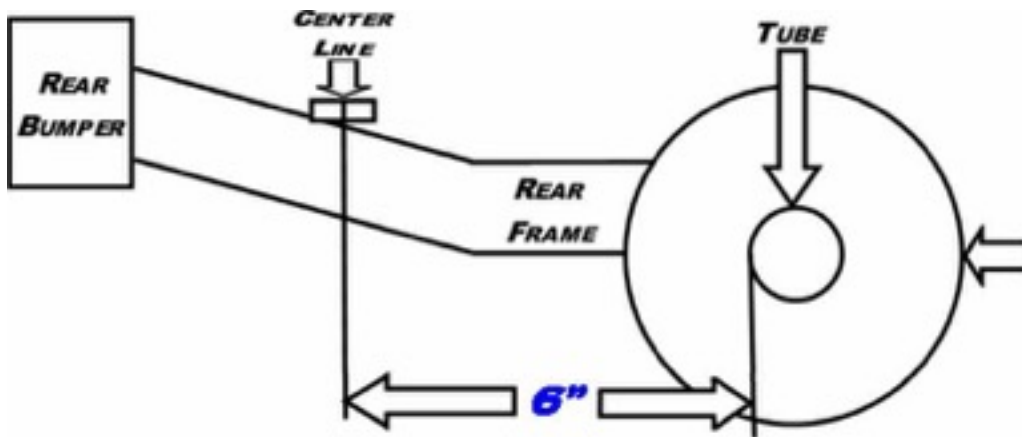
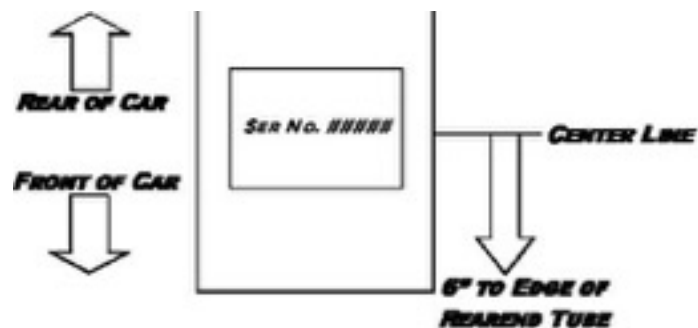


DIAGRAM #2

FROM TRACK SURFACE

m



NOTE: Permanent Hardwired Transponders are available for purchase and are mounted in the same orientation and position as the rentals. Also pouches for the rentals can be purchased for permanent mounting (rental transponders must still be returned after each event). To purchase either contact the ACT/Thunder Road office at 802.244.6963. Any mounting questions should be directed as with any other rules question to Dean at 802.229.6276 between 6pm and 9pm on weekdays.